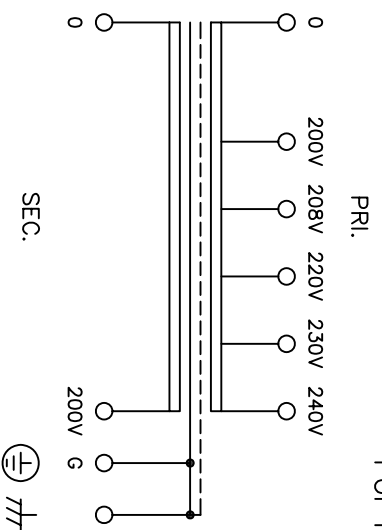
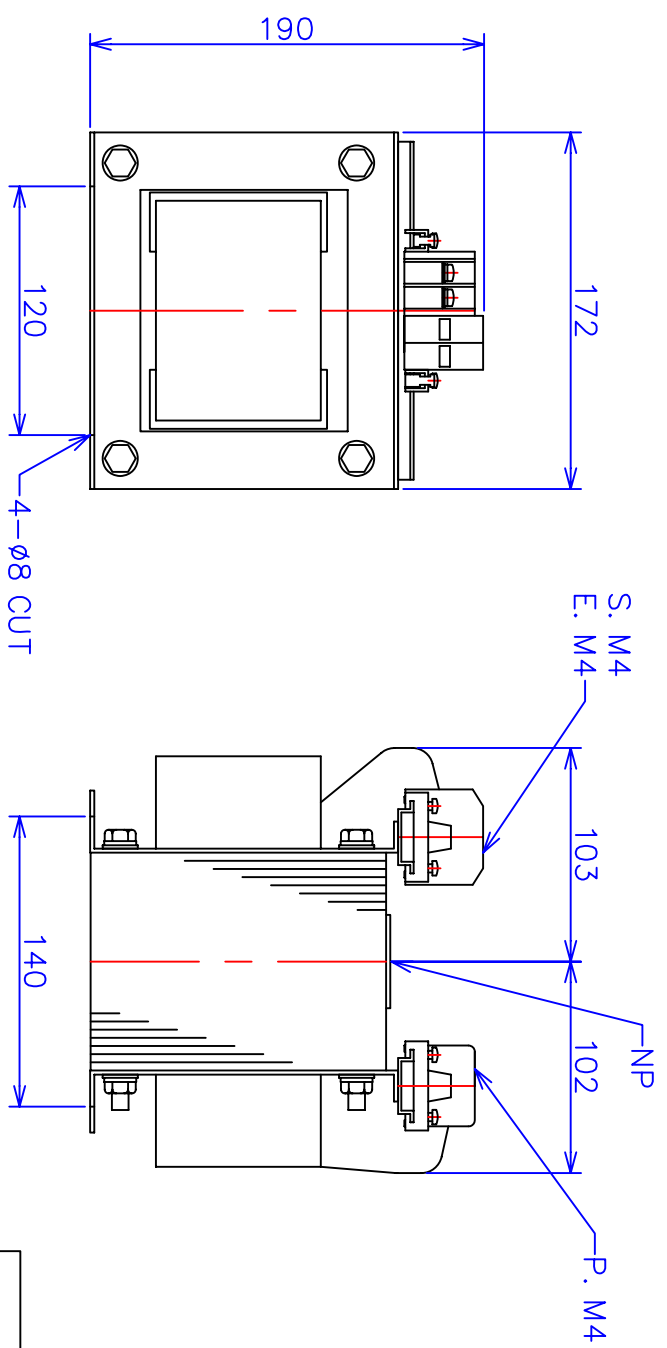


For indoor use only SPECIFICATION



STANDARD	EN61558-2-4	UL 506	
MODEL	FUL22-2K		
PHASE	(Φ)	1	
FREQUENCY	(Hz)	50/60	
CAPACITY	(kVA)	2	
PRI. VOLTAGE	(V)	200 208 220 230 240	
SEC. VOLTAGE	(V)	200	
SEC. CURRENT	(A)	10	
PERCENT IMPEDANCE	(%)	4.0/4.1	
DIELECTRIC STRENGTH (V/min)	P-S,G	4200	2500
	S-G	4200	2500
INSULATION RESISTANCE	more than 100 MΩ at DC 500V Megger		
RATING	CONTINUOUS		
CLASS	H (SYSTEM 16)		
MASS	(kg)	20.5	
MAX. AMBIENT TEMP.	(°C)	40	
MAX. TEMP. RISE	(K)	125	120
PRI. CIRCUIT BREAKER	20A (EN60947-2)		
SEC. CIRCUIT BREAKER	10A (EN60947-2)		
PROTECTION DEGREE	IP00		
IEC MARK	IP00		
TUV & CE MARK			
UL MARK			
UL FILE No.	E252316		



1	Geographical plot of a rated nameplate	2008/03/13
MARK	DESCRIPTIONS	DATE
REVISIONS		
NAME	DATE	SCALE
DRAWN BY K. Tamura	2006/12/20	✓
CHECKED BY K. Tamura	2006/12/20	⊕
TITLE TRANSFORMER		⊖
DRAWING No. T-42768-2K-M		⚠

FUKUDA ELECTRIC WORKS CO., LTD.