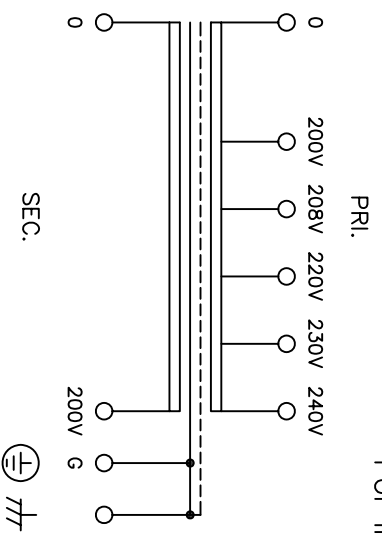



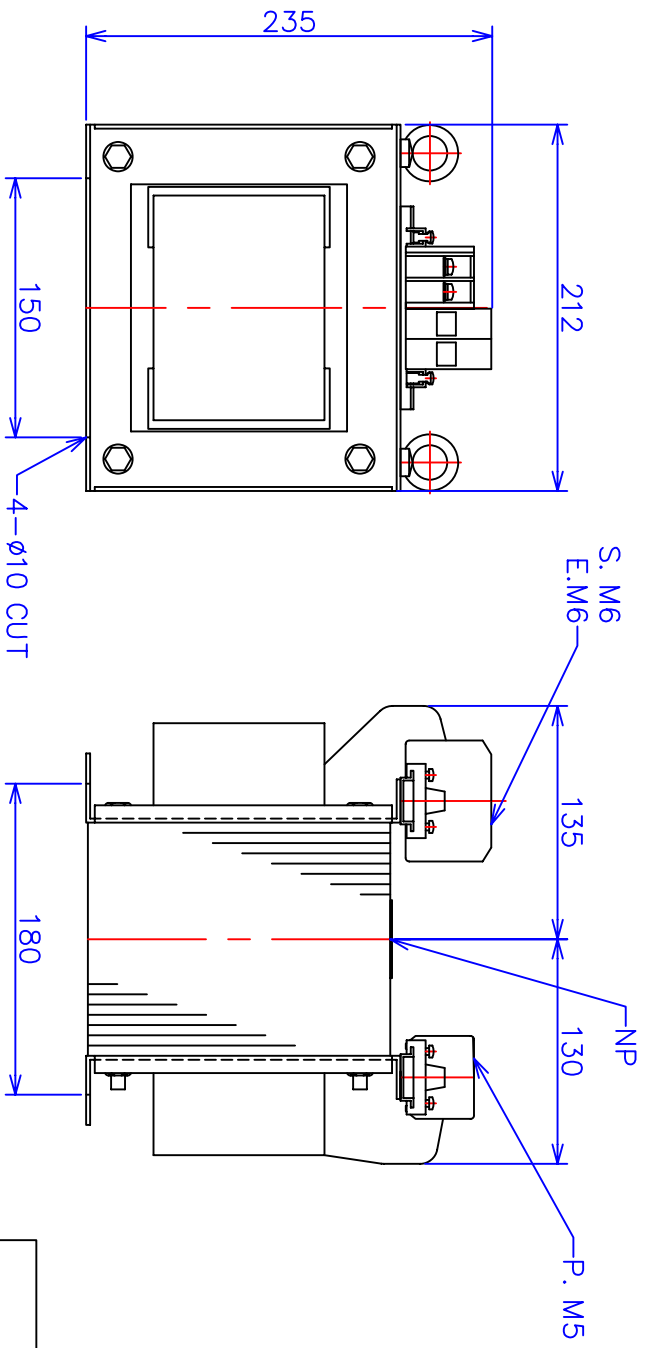


For indoor use only SPECIFICATION



STANDARD	EN61558-2-4	UL 506
MODEL	FUL22-4K	
PHASE	(Φ)	1
FREQUENCY	(Hz)	50/60
CAPACITY	(kVA)	4
PRI. VOLTAGE	(V)	200 208 220 230 240
SEC. VOLTAGE	(V)	200
SEC. CURRENT	(A)	20
PERCENT IMPEDANCE	(%)	2.7/2.9
DIELECTRIC STRENGTH (V/min)	P-S,G	4200
	S-G	4200
INSULATION RESISTANCE	more than 100 MΩ	
	at DC 500V Megger	
RATING	CONTINUOUS	
CLASS	H (SYSTEM 16)	
MASS	(kg)	39
MAX.AMBIENT TEMP.	(°C)	40
MAX.TEMP.RISE	(K)	125
PRI. CIRCUIT BREAKER	40A (EN60947-2)	120
SEC. CIRCUIT BREAKER	20A (EN60947-2)	
PROTECTION DEGREE	IP00	
IEC MARK	IP00	
TUV & CE MARK	 	
UL MARK		
UL FILE No.	E252316	



1	Geographical plot of a rated nameplate	2008/03/13
MARK	DESCRIPTIONS	DATE

REVISIONS		
NAME	DATE	SCALE
DRAWN BY K.Tamura	2006/12/20	✓
CHECKED BY K.Tamura	2006/12/20	

FUKUDA ELECTRIC WORKS CO.,LTD.

TITLE: TRANSFORMER

DRAWING No. T-42768-4K-M

