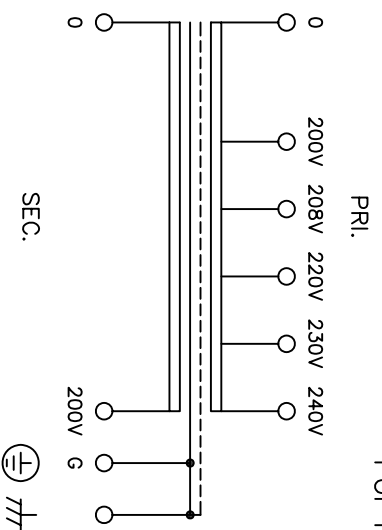



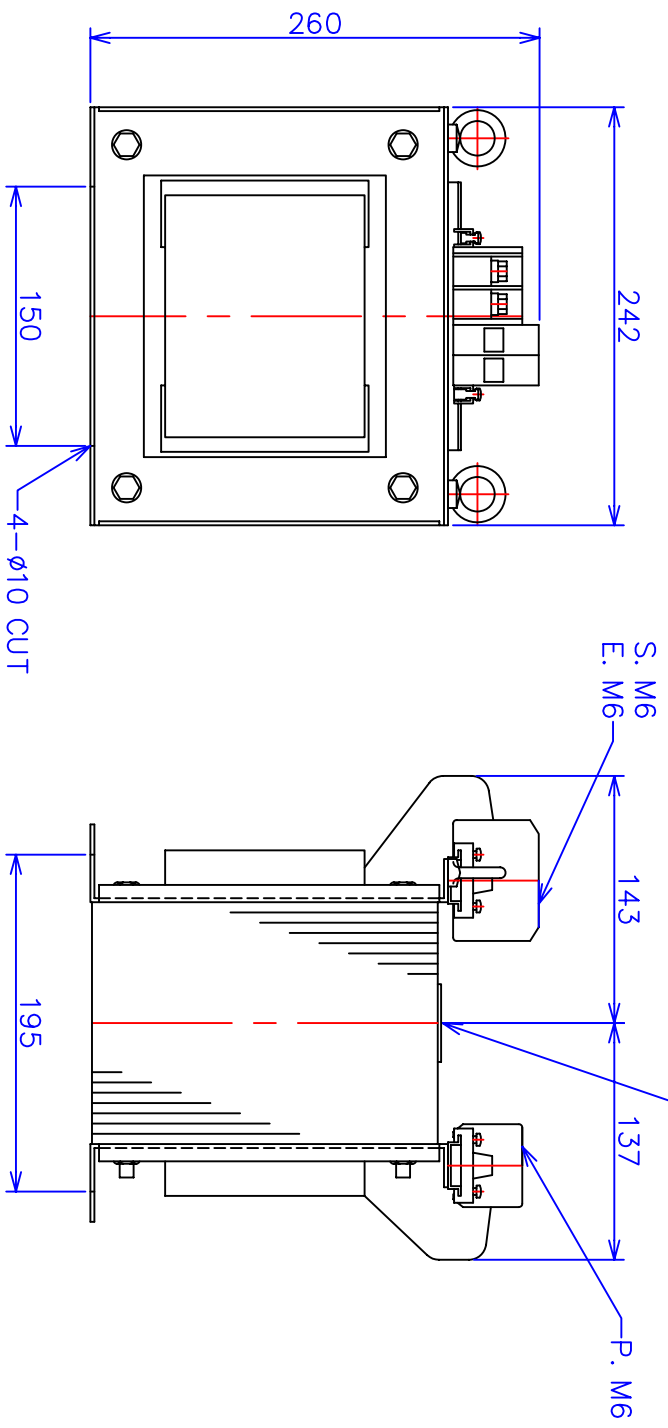


For indoor use only SPECIFICATION



STANDARD	EN61558-2-4	UL 506	
MODEL	FUL22-6K		
PHASE	(Φ)	1	
FREQUENCY	(Hz)	50/60	
CAPACITY	(kVA)	6	
PRI. VOLTAGE	(V)	200 208 220 230 240	
SEC. VOLTAGE	(V)	200	
SEC. CURRENT	(A)	30	
PERCENT IMPEDANCE	(%)	2.7/2.9	
DIELECTRIC STRENGTH (V/min)	P-S,G	4200	2500
	S-G	4200	2500
INSULATION RESISTANCE	more than 100 MΩ		at DC 500V Megger
RATING	CONTINUOUS		
CLASS	H (SYSTEM 16)		
MASS	(kg)	54.6	
MAX. AMBIENT TEMP.	(°C)	40	
MAX. TEMP. RISE	(K)	125	120
PRI. CIRCUIT BREAKER	60A (EN60947-2)		
SEC. CIRCUIT BREAKER	30A (EN60947-2)		
PROTECTION DEGREE	IP00		
IEC MARK	IP00		
TUV & CE MARK	 		
UL MARK			
UL FILE No.	E252316		



1	Geographical plot of a rated nameplate	2008/03/13
MARK	DESCRIPTIONS	DATE
REVISIONS		
NAME	DATE	SCALE
DRAWN BY	2006/12/20	✓
CHECKED BY	2006/12/20	⊕ ⊖
FUKUDA ELECTRIC WORKS CO.,LTD.		TITLE
DRAWING No.		TRANSFORMER
T-42768-6K-M		⚠